

Undercounter Dishwashers

The Electrolux Dishwashing range is produced for the customer with highest conceivable demands for good efficiency, economy and ergonomics for dishwashing operation. The product range comprises of glasswashers, undercounter dishwashers, hood type dishwashers, rack type dishwashers, flight type dishwashers and pot and pan washers. The undercounter dishwashers are available with or without drain pump, one phase or three phase electric connection and have a capacity of 30 baskets per hour.



400144

SANITIZATION AND PERFORMANCE

- Pressure boiler guarantees rinse quality by providing rinsing water at a temperature superior to 82,5°C (water is supplied at 2 bars and at 50°C).
- 4 second (variable) pause after washing and before rinsing ensures that no drops of unclean water will fall on the clean items at the end of the rinsing cycle.
- Two washing cycles: 1st cycle of 120 seconds for normally soiled items and 2nd cycle of 180 seconds one for heavily soiled items.
- Washing system with endowed rotating washing arms, high power wash pump, large capacity boiler and tank volume, all together designed for professional washing

with high performance.

HYGIENE AND RELIABILITY

- All the machines have smooth surfaces to facilitate cleaning.
- The fully automatic self-cleaning cycle avoids the risk of bacteria proliferation.
- Front and side panels, door and wash tank made in heavy duty anti-corrosive AISI 304 stainless steel to guarantee appliance durability.
- 304 stainless steel boiler with high welding protection increases the resistance against corrosion with chlorinated water.
- Wash/rinse arms easy to remove.
- PVC water supply hose with metal connections resistant to high water pressure.
- Completely closed on the

reverse by a cover plate while IPX4 water protection prevents external infiltrations.

FLEXIBILITY AND ERGONOMICS

- Simple control panel with digital display allows on-site personalization of washing and rinsing cycle times and temperatures as well as precise rinse aid and detergent quantities depending on the customers needs.
- Simple service from the front.



Electrolux

**Electrolux Dishwashing
Undercounter Dishwashers**

- The incorporated Soft Start feature offers additional protection to delicate items such as glassware and crockery and increases wash pump reliability.
- Three phase or single phase electrical connection.
- All machines are pre-arranged to accept external dispensers.
- Pre-arrangement for HACCP system implementation and Energy Management device.

- EASY ON THE ENVIRONMENT**
- 98% recyclable by weight.
 - CFC free packaging.
 - In compliance with CE requirements.
 - Low noise level.
 - Developed and produced in ISO 9001 and ISO 14001 certified factory.

* Duration cycles: declared actual cycle duration times can extend when water supply temperature is lower than indicated.

	NUC1 400140	NUC1DP 400141	NUC3 400144	NUC3DP 400146	NUC3DD 400041	NUC1DP60 400149
TECHNICAL DATA						
Water supply						
temperature - °C	50	50	50	50	50	50
hardness - °f	7-14	7-14	7-14	7-14	7-14	7-14
pressure min- bar	2	2	2	2	2	2
Thermometer	●	●	●	●	●	●
Drain pump		●		●	●	●
Detergent dispenser					●	
Rinse aid dispenser	●	●	●	●	●	●
N° of cycles	2	2	2	2	2	2
Duration cycles - sec.	120/180	120/180	120/180	120/180	120/180	120/180
Dishes capacity/h	540	540	540	540	540	540
Basket capacity/h	30	30	30	30	30	30
External dimensions - mm						
width	600	600	600	600	600	600
depth	610	610	610	610	610	610
height	820	820	820	820	820	820
Cell dimensions - mm						
width	500	500	500	500	500	500
depth	500	500	500	500	500	500
height	330	330	330	330	330	330
Washing cycle						
temperature -°C	55-65	55-65	55-65	55-65	55-65	55-65
tank capacity - lt.	33	33	33	33	33	33
power pump - kW	0.736	0.736	0.736	0.736	0.736	0.736
electrical elements - kW	2	2	2	2	2	2
Hot rinse cycle						
duration - sec.	16	16	16	16	16	16
temperature during rinse - °C	80-90	80-90	80-90	80-90	80-90	80-90
water consumption - lt./cycle	3.3	3.3	3.3	3.3	3.3	3.3
Boiler capacity - lt.	5.8	5.8	5.8	5.8	5.8	5.8
Boiler elements - kW	2.8	2.8	4.5	4.5	4.5	2.8
Power - kW						
drain pump		0.034		0.034	0.034	0.034
total power	3.65	3.65	5.35	5.35	5.35	3.65
Noise level - dBA	<70	<70	<70	<70	<70	<70
Net weight - kg.	60	60	57	57	60	60
Supply voltage	230 V, 1N, 50	230 V, 1N, 50	400 V, 3N, 50	400 V, 3N, 50	400 V, 3N, 50	230 V, 1N, 60
Convertible to			230 V / 3 / 50 Hz; 230 V / 1+N / 50 Hz	230 V / 3 / 50 Hz; 230 V / 1+N / 50 Hz	230 V / 3 / 50 Hz; 230 V / 1+N / 50 Hz	
INCLUDED ACCESSORIES						
BASKET FOR 18 DINNER PLATES 240MM-YELLOW	1	1	1	1	1	1
YELLOW CUTLERY CONTAINER	1	1	1	1	1	1
ACCESSORIES						
12 L EXTERNAL MANUAL WATER SOFTENER	860412	860412	860412	860412	860412	860412
304 AISI BACK PANEL FOR UC ENTRY LEVEL	864246	864246	864246	864246	864246	864246
8 L EXTERNAL AUTOMATIC WATER SOFTENER	860413	860413	860413	860413	860413	860413
BASKET FOR 18 DINNER PLATES 240MM-YELLOW	867002	867002	867002	867002	867002	867002
BASKET FOR 48 SMALL CUPS/24 CUPS-BLUE	867007	867007	867007	867007	867007	867007
BASKET FOR 5 TRAYS 530X325MM-RED	867006	867006	867006	867006	867006	867006
COVER GRID FOR SMALL/LIGHT ITEMS IN RACK	867016	867016	867016	867016	867016	867016
DETERGENT LEVEL PROBE KIT FOR UC+HT DW	864004	864004	864004	864004	864004	864004
DETERGENT PUMP KIT	864218	864218	864218	864218	864218	864218
DRAIN PUMP KIT FOR 50HZ DISHWASHERS	864012	864012	864012	864012	864012	864012
EXT.REVERSE OSMOSIS FILT-PRESSURE BOILER	864027	864027	864027	864027	864027	864027
FILTER FOR PARTIAL DEMINERALIZATION	864017	864017	864017	864017	864017	864017
FILTER FOR TOTAL DEMINERALIZATION	864015	864015	864015	864015	864015	864015
HACCP PRINTER KIT FOR UC, HT AND POTW	864002	864002	864002	864002	864002	864002
INTEGRATED HACCP KIT FOR UC, HT AND POTW	864001	864001	864001	864001	864001	864001
KIT 4 PLASTIC BOXES FOR CUTLERY-YELLOW	865574	865574	865574	865574	865574	865574
KIT PRESSURE BOOSTER FOR RINSING WATER	860415	860415	860415	860415	860415	860415
KIT TO MEASURE TOTAL/PART.WATER HARDNESS	864050	864050	864050	864050	864050	864050
RINSE AID LEVEL PROBE KIT FOR UC+HT DW	864005	864005	864005	864005	864005	864005
ST.STEEL WASH TANK FILTER FOR UNDERC.DW	864039	864039	864039	864039	864039	864039
STAINLESS STEEL INLET HOSE KIT	864016	864016	864016	864016	864016	864016
STAND FOR UNDERCOUNTER DISHWASHER	860418	860418	860418	860418	860418	860418
YELLOW CUTLERY CONTAINER	864242	864242	864242	864242	864242	864242

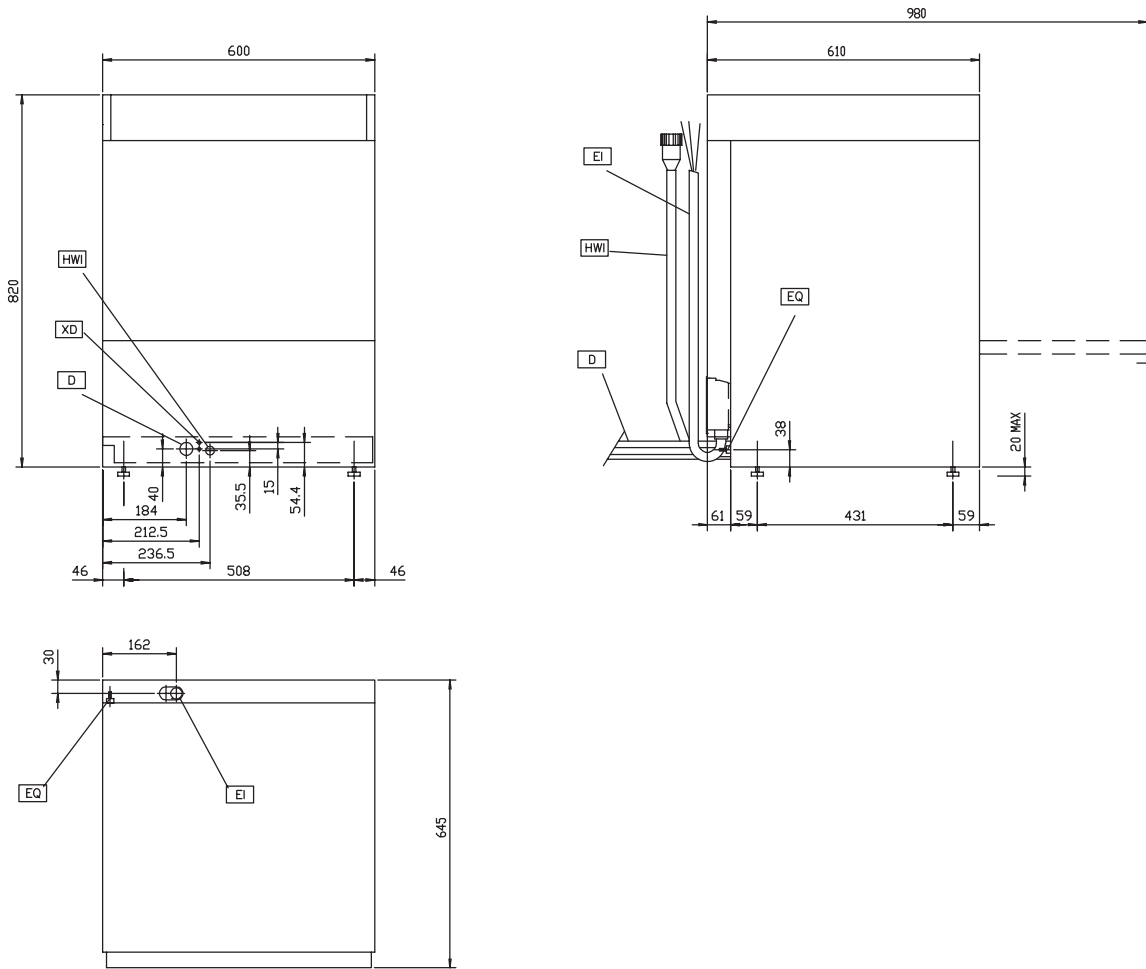
IBA010

2010-06-03

Subject to change without notice

**Electrolux Dishwashing
Undercounter Dishwashers**

400140, 400149, 400041, 400146, 400144, 400141



IBA010

2010-06-03

LEGEND	NUC1 400140	NUC1DP 400141	NUC3 400144	NUC3DP 400146	NUC3DD 400041	NUC1DP60 400149
D - Water drain	40 mm	20.5mm	40 mm	20.5mm	20.5mm	20.5mm
EI - Electrical connection	230 V, 1N, 50	230 V, 1N, 50	400 V, 3N, 50	400 V, 3N, 50	400 V, 3N, 50	230 V, 1N, 60
EQ - Equipotential screw	●	●	●	●	●	●
HWI - Hot water inlet	G 3/4"	G 3/4"	G 3/4"	G 3/4"	G 3/4"	G 3/4"
XR - Connection for detergent dispenser	●	●	●	●	●	●

Subject to change without notice